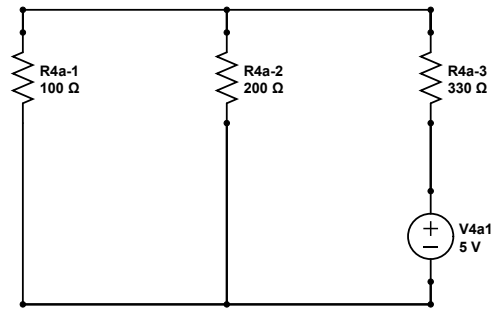
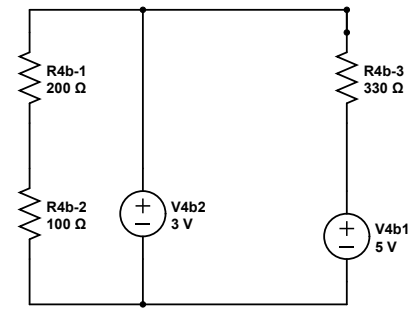


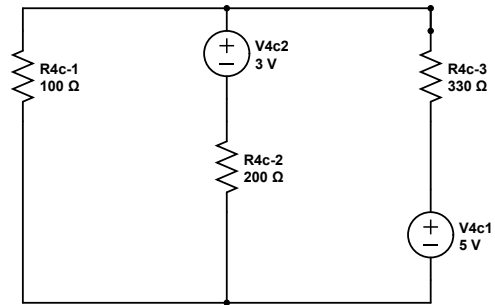
Circuit 4a



Circuit 4b



Circuit 4c



Circuit 4d

